

# Oil Heaters



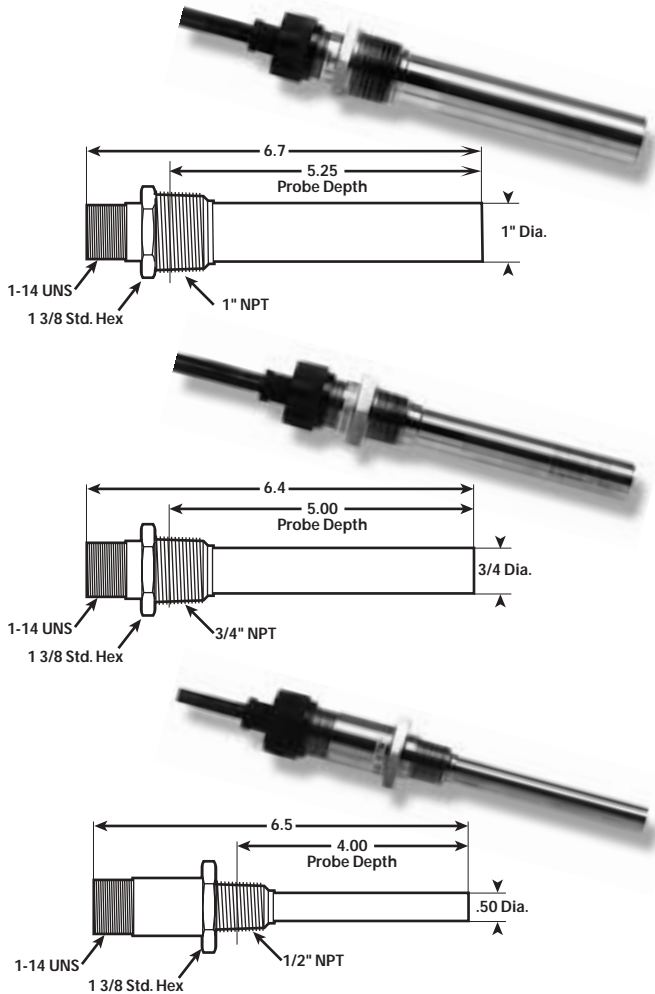
Oil Capacity	Weathertight Heater Only	Weathertight With Thermostat (see chart p.21)	Class 1, Group D Hazardous Locations Heater Only	Volts	Watts	Amps	Watts Per Square Inch
<b>3/8" N.P.T. THREAD WITH A 2 1/8" PROBE LENGTH</b>							
2 Quarts or Less	OW005100-000 OW005200-000	— —	— —	120 240	50 50	.4 .2	17.0 17.0
<b>1/2" N.P.T. THREAD WITH A 4" PROBE LENGTH</b>							
2 Quarts to 6 Quarts	OW212100-000 OW212200-000	OW2121XX-000 OW2122XX-000	OE212100-000 OE212200-000	120 240	125 125	1.0 .5	14.0 14.0
<b>3/4" N.P.T. THREAD WITH A 5" PROBE LENGTH</b>							
1 Gallon to 5 Gallons	OW415100-000 OW415200-000	OW4151XX-000 OW4152XX-000	OE415100-000 OE415200-000	120 240	150 150	1.3 .6	9.0 9.0
5 Gallons to 15 Gallons	OW430100-000 OW430800-000 OW430200-000	OW4301XX-000 OW4308XX-000 OW4302XX-000	OE430100-000 OE430800-000 OE430200-000	120 208 240	300 300 300	2.6 1.1 1.2	18.0 18.0 18.0
<b>1" N.P.T. THREAD WITH A 5 1/4" PROBE LENGTH</b>							
1 Gallon to 5 Gallons	OW615100-000 OW615200-000	OW6151XX-000 OW6152XX-000	OE615100-000 OE615200-000	120 240	150 150	1.3 .6	6.5 6.5
5 Gallons to 15 Gallons	OW630100-000 OW630800-000 OW630200-000 OW630700-000 — —	OW6301XX-000 OW6308XX-000 OW6302XX-000 OW6307XX-000 — —	OE630100-000 OE630800-000 OE630200-000 OE630700-000 OE630300-000 OE630400-000	120 208 240 277 380 480	300 300 300 300 300 300	2.6 1.6 1.2 1.1 1.0 .6	13.0 13.0 13.0 13.0 13.0 13.0
15 Gallons to 30 Gallons	OW650100-000 OW650800-000 OW650200-000 OW650700-000 — — —	OW6501XX-000 OW6508XX-000 OW6502XX-000 OW6507XX-000 — — —	OE650100-000 OE650800-000 OE650200-000 OE650700-000 OE650300-000 OE650400-000 OE650500-000	120 208 240 277 380 480 575	500 500 500 500 500 500 500	4.1 2.4 2.0 1.8 1.3 1.0 0.8	26.0 26.0 26.0 26.0 26.0 26.0 26.0

**NOTES:** Weathertight heaters are standard with a 4 foot oil and heat resistant power cord.

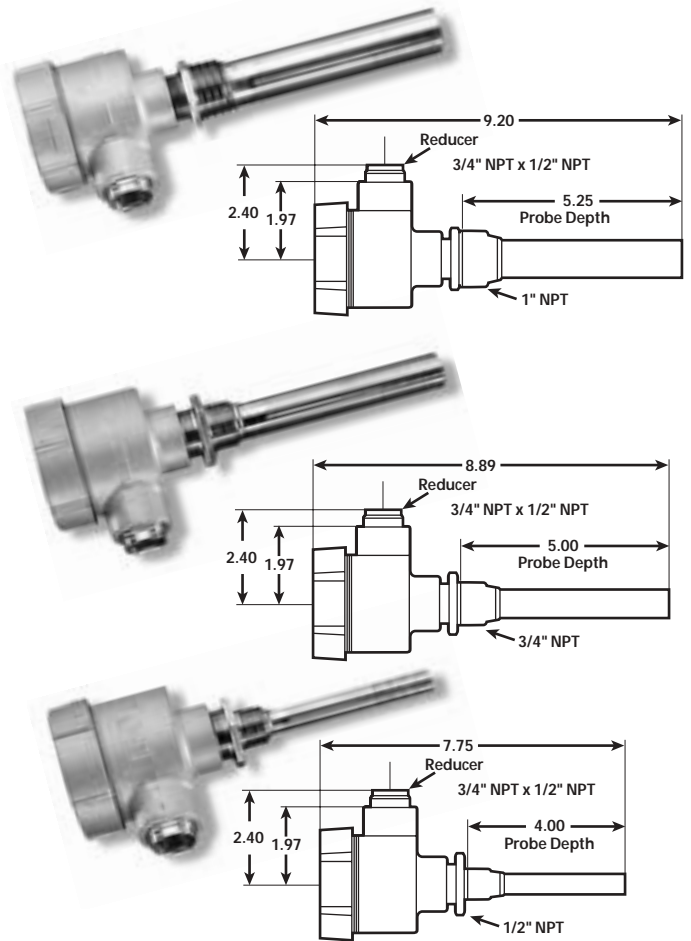
Class 1, Group D heaters are standard with 18" of lead wire for connection to the power leads in an approved splice box.

For Class 1, Group D thermostats, see page 26.

## heater only



## heater only



For Class 1, Group D thermostats, see page 26.

## Heaters with Y-type harness and thermostat (see page 26 for drawings with dimensions)

Use a thermostat with all lube oil heaters to protect the oil from overheating if the heater is energized while the engine is hot or running.

Lube oil heaters must always be installed in the sump with the entire heater submerged below the oil level at all times.



120 Volt and 240 Volt are complete with a 3-prong plug.

Kim Hotstart Assembled Lube Oil Heaters eliminate the need for splice boxes or field wiring of the thermostat and heater.

Always mount the thermostat above and to one side of the heater for the most efficient control.

### OIL HEATERS WITH THERMOSTATS

To specify temperature range of thermostat, insert numerical code from chart in place of the XX in model number.

#### Example:

Desired Temperature Range 100° - 120°  
 Catalog Number: Model OW2121XX-000  
 Order as: Model OW212110-000

NUMERICAL CODE	TEMPERATURE RANGE		SWITCH CAPACITY	THREAD SIZE
	On	Off		
06	60°F	80°F	120V - 15 Amps	1/2" N.P.T.
08	80°F	100°F	208V - 10 Amps	
10	100°F	120°F	240V - 10 Amps	
12	120°F	140°F	277V - 10 Amps	

# DC Oil Heaters

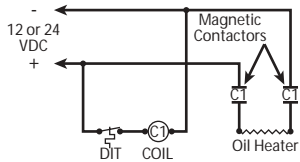
12 and 24 volt

## 12 VOLT/24 VOLT DC CONTROL BOXES

25 Amps Maximum	12V 24V	JBMC330DC-12V JBMC330DC-24V
-----------------	------------	--------------------------------



When used with a thermostat control, all DC oil heaters must use a DC relay



Oil Capacity	Volts	Watts	Kim Hotstart Model Numbers			Amps	Watts Per Square Inch
			1/2" N.P.T. With a 4" Probe Length	3/4" N.P.T. With a 4 7/8" Probe Length	1" N.P.T. With a 5 3/8" Probe Length		
2 Quarts or Less	12	75	OW207900-012	OW407900-012	—	6.3 3.1	1/2" are all 8.4 WSI 3/4" are all 4.5 WSI
	24	75	OW207900-024	OW407900-024	—		
2 to 6 Quarts	24	125	OW212900-024	—	—	5.2	14.0 WSI
1 to 5 Gallons	12	150	—	OW415900-012	OW615900-012	12.5 6.3	3/4" are all 9.0 WSI 1" are all 6.5 WSI
	24	150	—	OW415900-024	OW615900-024		
5 to 15 Gallons	12	300	—	—	OW630900-012	25.0 12.5	3/4" are all 18 WSI 1" are all 13 WSI
	24	300	—	OW430900-024	OW630900-024		
15 to 30 Gallons	24	500	—	—	OW650900-024	20.8	26.0 WSI

NOTE: Kim Hotstart also has DC oil heaters available for hazardous locations. Change "OW" in model number to "OE".

Please see page 21 for photos and technical drawings of "OW" and "OE" style oil heaters.

12 Volt and 24 Volt DC oil heaters can be powered directly from the battery, but it will drain the battery very rapidly unless charged by an alternator or generator.

**NOTE:** Heater amperage as shown in the table above will determine the life of the battery — (Amps x Hours = Amp hours).

Example: A 12.5 Amp heater will completely drain a 100 Amp-hour battery in 8 hours.  $\frac{100 \text{ Amp-hour}}{12.5 \text{ Amp}} = 8 \text{ Hours}$

# Temperature Controls



Weathertight

Weathertight models are furnished with a 3 ft. 16/3 HPN power cord. Class I, Group D model is furnished with 18" of lead wire for connection to the power leads in an approved splice box.



Class I, Group D Hazardous Location

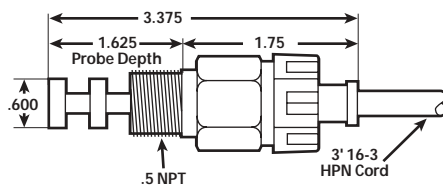
Lube oil temperature controls hold lube oil at the desired temperature.

If the heater is energized while the engine is hot or running, Kim Hotstart recommends using thermostats with all lube oil heaters to protect the oil from overheating.

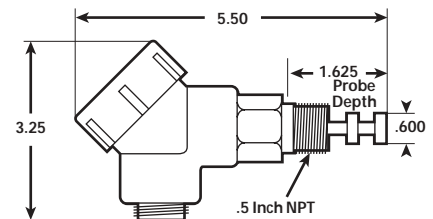
The sensing unit can be changed without draining the sump.



Weathertight Model Number	Class I, Group D Model Number	Temp. Range		Thread Size	Switch Capacity
		On	Off		
DIT68	DIT68EP	60°F	80°F	1/2" N.P.T.	120v - 15 amps 208v - 10 amps 240v - 10 amps 277v - 10 amps 12v DC } Pilot Duty Only 24v DC }
DIT810	DIT810EP	80°F	100°F	1/2" N.P.T.	
DIT1012	DIT1012EP	100°F	120°F	1/2" N.P.T.	
DIT1214	DIT1214EP	120°F	140°F	1/2" N.P.T.	



Weathertight Model Dimensions



Class 1, Group Model Dimensions